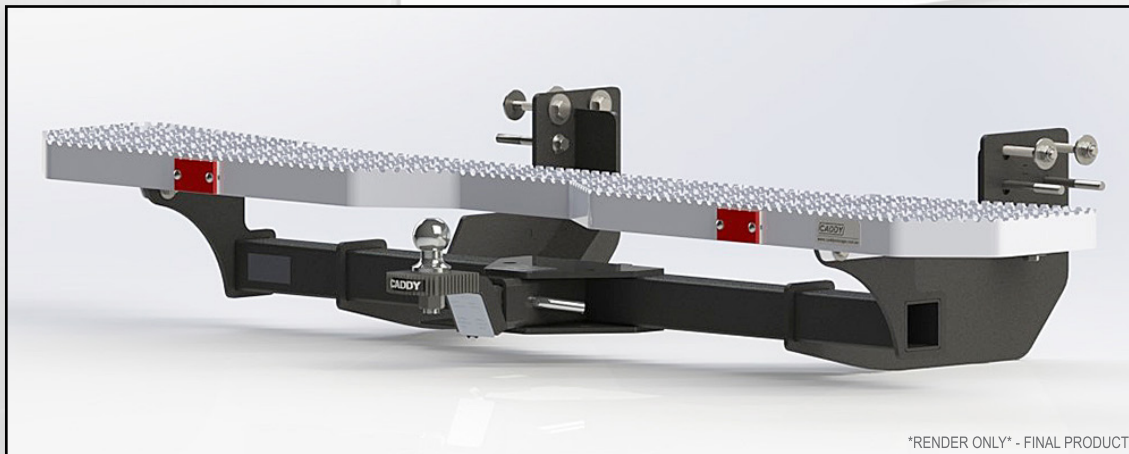
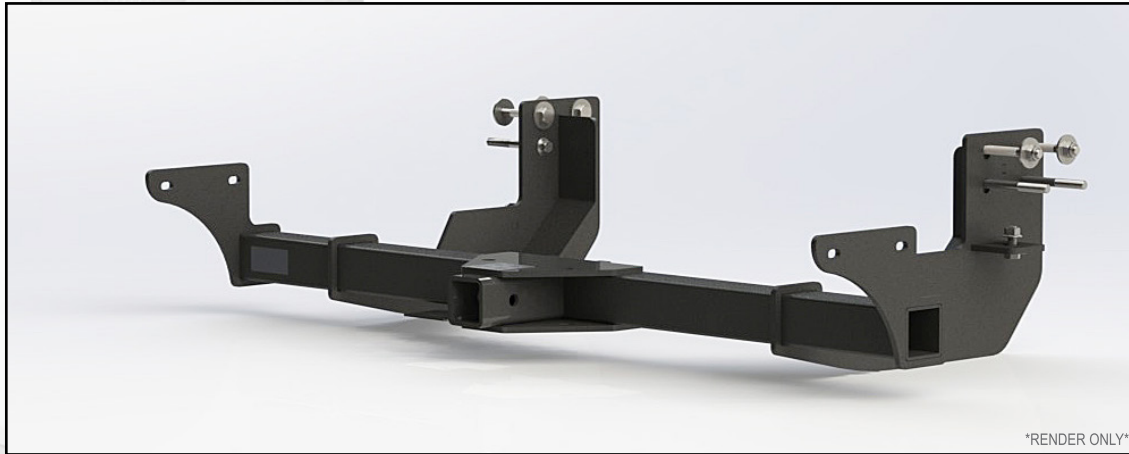


## FORD TRANSIT CUSTOM REAR STEP



### **GALVANISED REAR STEP TOW BAR TO SUIT: FORD TRANSIT CUSTOM (02/2014+)**

#### **FEATURES:**

- Rear step & tow bar combination
- Galvanised finish
- Uses existing mounting points
- Allows for easy access to roof racks (if fitted)
- Provides extra protection for rear bumper
- 2500kg towing capacity

**BRAND NEW PRODUCT  
AVAILABLE NOW!**

**Call us for more info.**

FORD TRANSIT CUSTOM GALVANISED REAR STEP TOW BAR PART NO. RSTO-FTC-GRST

E. & O. E.

**SYDNEY (head office)**

4-8 Gate Rd Blacktown, NSW 2148  
T: (02) 9831 2878 | F: (02) 9831 4272

**MELBOURNE (west)**

7 Norwest Ave Laverton North, VIC 3026  
T: (03) 9369 9799 | F: (03) 8368 2845

**MELBOURNE (east)**

4/200-208 Boundary Rd Braeside, VIC 3195  
T: (03) 9580 3058 | F: (03) 9580 3004

**BRISBANE**

49 Corymbia Pl Parkinson, QLD 4115  
T: (07) 3800 9222 | F: (07) 3800 9255

**PERTH**

57 Mordaunt Cct Canning Vale, WA 6155  
T: (08) 9256 3309 | F: (08) 9256 3348