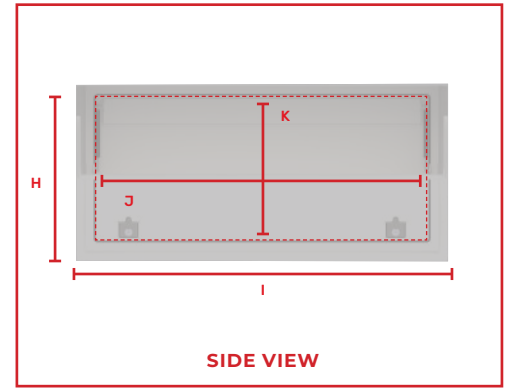
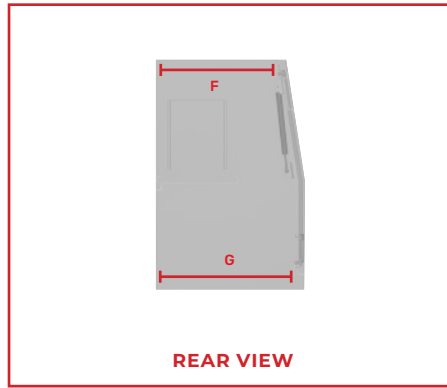
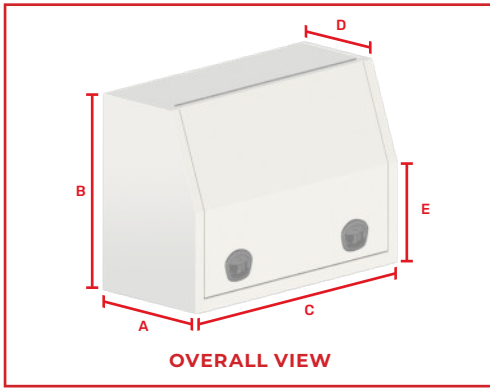


Toolbox Specifications



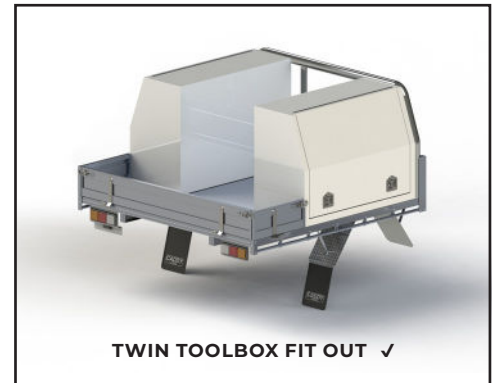
Last updated: January 2025. All images shown are not to scale and are used as a guide for measurements only. Measurements do not include additional accessories such as Window Guards or Roof Racks, which may affect overall dimensions. Measurements only account for the Toolbox as a single unit.



Sizing

Exterior Dimensions	1200mm wide unit	1450mm wide unit	1800mm wide unit
A. Toolbox Bottom Section Width	550mm	550mm	550mm
B. Toolbox Height	850mm	850mm	850mm
C. Toolbox Length	1200mm	1450mm	1800mm
D. Toolbox Top Section Width	480mm	480mm	480mm
E. Toolbox Bottom Section Height	445mm	445mm	445mm
Interior Dimensions	1200mm wide unit	1450mm wide unit	1800mm wide unit
F. Interior Top Section Width	445mm	445mm	445mm
G. Interior Bottom Section Width	505mm	505mm	505mm
H. Interior Height	835mm	835mm	835mm
I. Interior Length	1190mm	1440mm	1790mm
Door Clearance	1200mm wide unit	1450mm wide unit	1800mm wide unit
J. Side Door Width	1000mm	1250mm	1600mm
K. Side Door Height	700mm	700mm	700mm

Available Toolbox Combinations



Toolboxes

Weights and Loads



Last updated: January 2025. All images shown are not to scale and are used as a guide for measurements only. Measurements do not include additional accessories such as Window Guards or Roof Racks, which may affect overall dimensions.

Weights

Product	Weight (kg)
Single Toolbox 1800mm Long	68.5kg
Single Toolbox 1450mm Long	52.5kg
Single Toolbox 1200mm Long	45kg
Underbody Tool Box	14.5kg
Trundle drawer 1700mm Long	87kg
Trundle drawer 1500mm Long	79.5kg
Single Cab Aluminium Tray	74kg
Extra Cab Aluminium Tray	64kg
Dual Cab Aluminium Tray	54kg

Load Ratings

Product	Load (kg)
Toolbox Specific Roof Racks	100kg