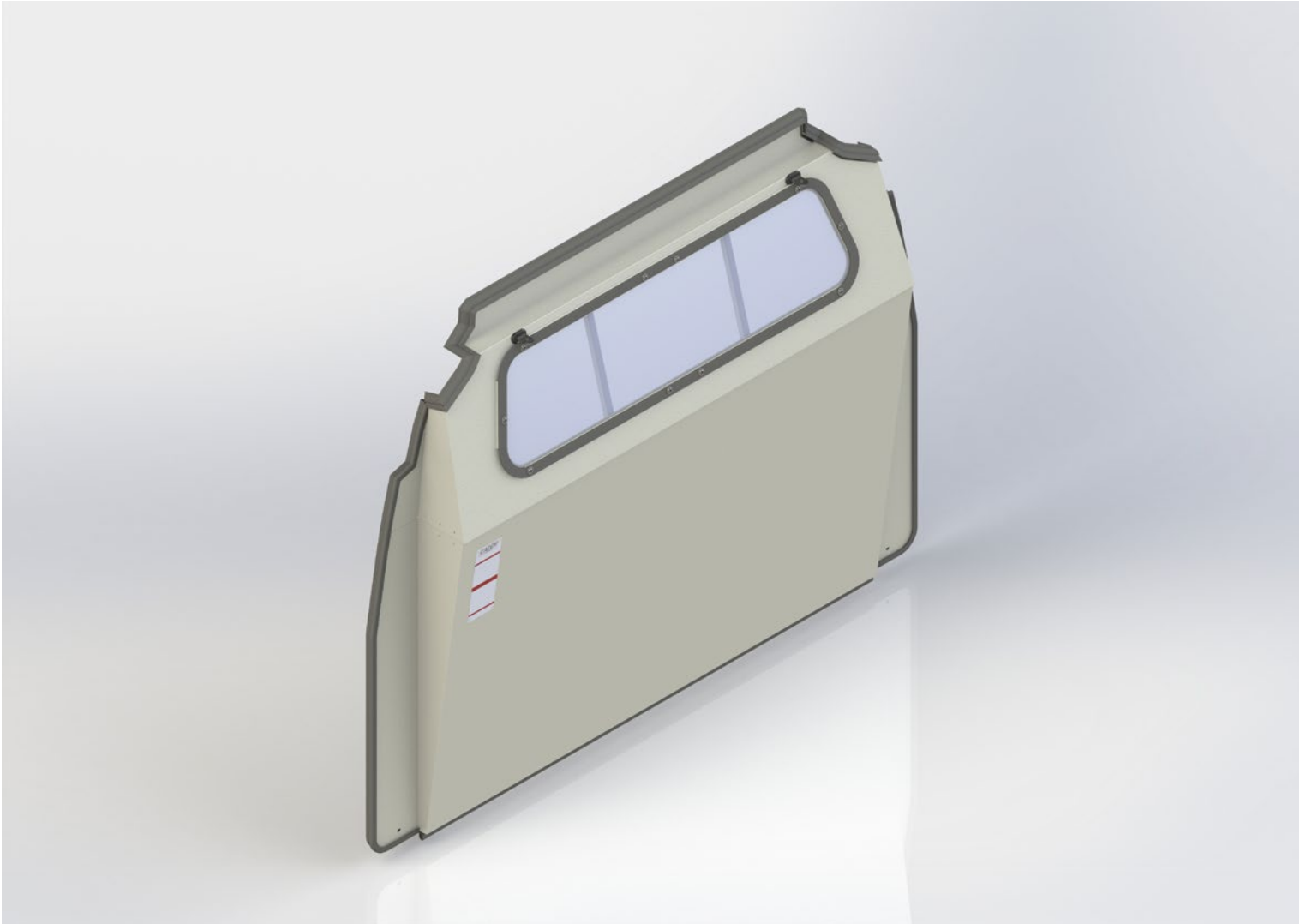




PRODUCT RELEASE

VAPOUR RESISTANT CARGO BARRIER

TO SUIT LDV ELECTRIC DELIVER 7 LWB LOW ROOF (01/2024+)

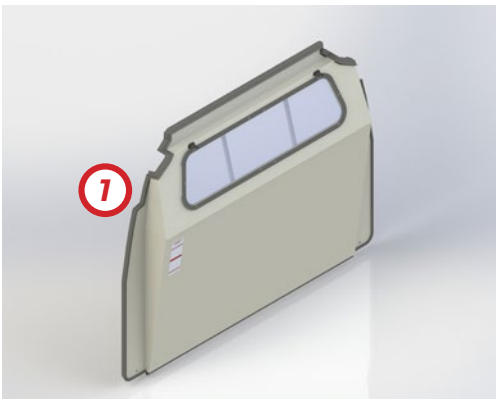


**NEW PRODUCT FROM
CADDY STORAGE** >>

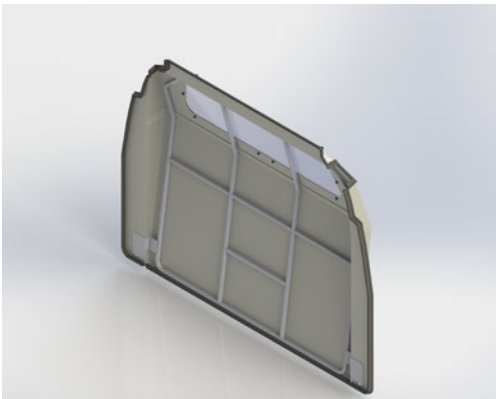
CB-LD724-345VRBK: Front Position Vapour-Resistant Cargo Barrier (Kinked with Large Minimising Glare Window) - To Suit LDV Electric Deliver 7 LWB Low Roof (01/2024+)

VAPOUR RESISTANT CARGO BARRIER

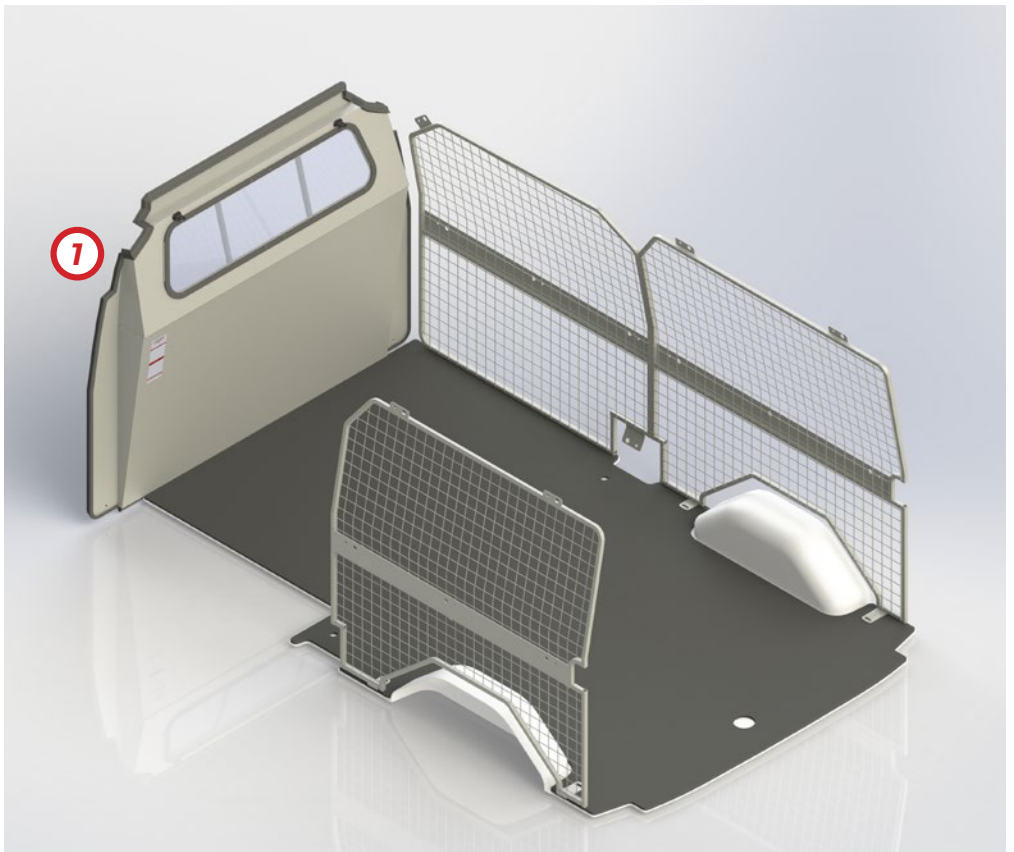
TO SUIT LDV ELECTRIC DELIVER 7 LWB LOW ROOF (01/2024+)



1. Vapour Res. Cargo Barrier



1. Vapour Res. Cargo Barrier



Cargo Barrier in fit out (wall panels and flooring sold separately)

PRODUCT DETAILS

SUITS

LDV Electric Deliver 7 LWB Low Roof
(01/2024+)

TYPE

Cargo Barrier

AVAILABILITY

Now

VAPOUR RES. CB KEY FEATURES

- › Front Position Vapour Resistant Cargo Barrier fitted behind front row of seating
- › Kinked Design with Large Polycarbonate Anti-glare Window
- › Enclosed Design to limit odours and gases travelling to the cabin
- › Noise dampening
- › Improves air conditioning efficiency
- › Powdercoated APO Grey Ripple

For pricing & additional info, please email info@caddystorage.com.au.