

KIT SPECIFICATIONS

DRIVER SIDE FRONT
***ADJ28-M**

Unit Size: 1260mm w x 1570mm h
End panels: Standard Panels
No. of shelves: 6
Plastic Bins: None
*If your vehicle has an OEM Factory Bulkhead installed, the shelving unit will need to be changed to a 1080mm wide unit (ADJ28-L).

DRIVER SIDE MID
ADJ28-K

Unit Size: 850mm w x 1570mm h
End panels: Standard Panels
No. of shelves: 6
Plastic Bins: None

DRIVER SIDE REAR
ADJ28-M

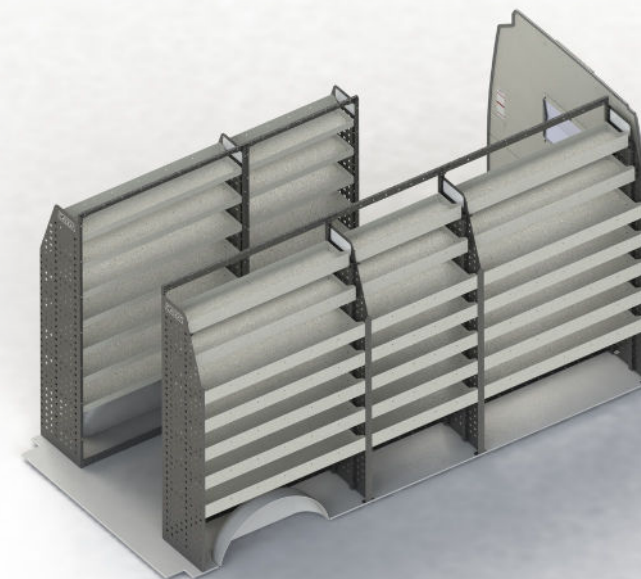
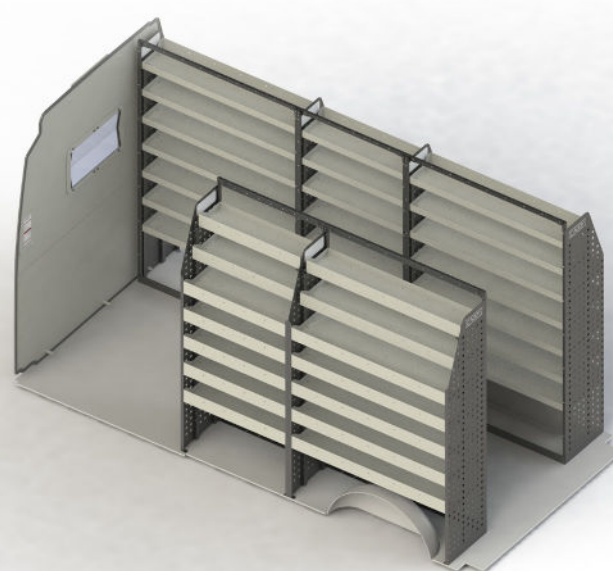
Unit Size: 1260mm w x 1570mm h
End panels: Standard Panels
No. of shelves: 6
Plastic Bins: None

PASSENGER SIDE FRONT
ADJ28-K

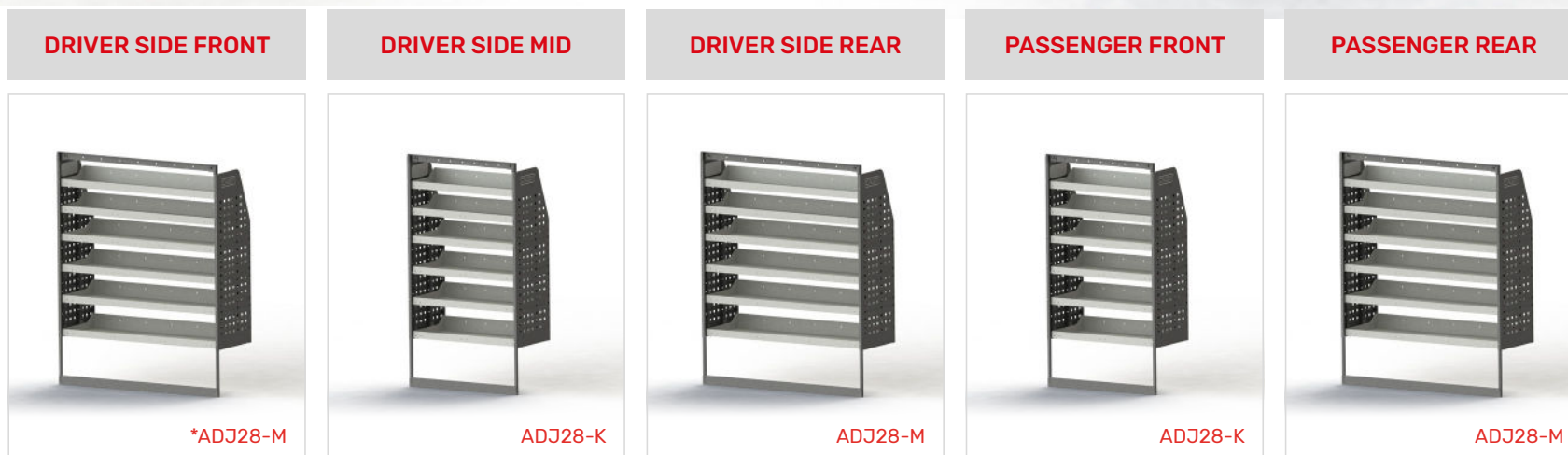
Unit Size: 850mm w x 1570mm h
End panels: Standard Panels
No. of shelves: 6
Plastic Bins: None

PASSENGER SIDE REAR
ADJ28-M

Unit Size: 1260mm w x 1570mm h
End panels: Standard Panels
No. of shelves: 6
Plastic Bins: None



Please note: Display Images above do not accurately show the specifications listed in this document.



Cargo barrier and flooring depicted in images not included in Trade Kit. These accessories are available separately.
Model: Master / Make: Renault / Wheel Base: LWB / Roof: Mid / Year: 02/2012+. Please check manufacturing plate for the make and model of your vehicle.