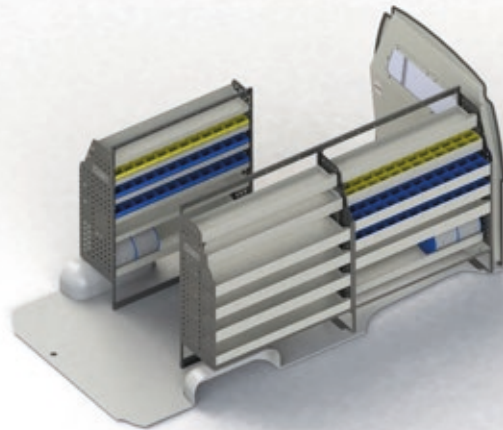
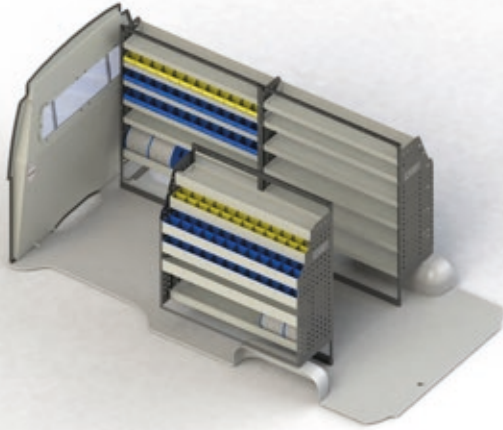


# VTK-THSL19-010 - SHELVING KIT SPECIFICATIONS



Please note: The render above does not accurately display the shelving units below. This is for illustrative purposes only.

## DRIVER SIDE FRONT



### ADJ110-W with Plastic Bins and Cable Shelving

Unit Size: 1260mm w x 1490mm h

End panels: Heavy Duty Frame with Side Step Supports

No. of shelves: 5 (1 x Cable Shelf, 1 x Bottom Bar)

Shelf Depth: 240mm (Row 1), 310mm (Row 2), 410mm (Rows 3-7)

Plastic Bins: 12 x PBC 3.0, 24 x PBC 4.0

\*For Reversed Shelving, use ADJ111-W unit and order other accessories separately

## DRIVER SIDE REAR



### ADJ75-W

Unit Size: 1260mm w x 1490mm h

End panels: 1200mm High Panels

No. of shelves: 6

Shelf Depth: 240mm (Row 1), 310mm (Row 2), 410mm (Rows 3-7)

Plastic Bins: None

## PASSENGER SIDE REAR



### ADJ80-W

Unit Size: 1260mm w x 1490mm h

End panels: 1200mm High Panels

No. of shelves: 5 (1 x Cable Shelf, 1 x Bottom Bar)

Shelf Depth: 240mm (Row 1), 310mm (Row 2), 410mm (Rows 3-7)

Plastic Bins: 12 x PBC 3.0, 24 x PBC 4.0

VTK-THSL19-010 TO SUIT THE FOLLOWING:

**Model: Hiace**

**Make: Toyota**

**Wheel Base: SLWB**

**Year: 05/2019+**

Please check manufacturing plate for the make and model of your vehicle.

Cargo barrier and flooring depicted in images not included in Trade Kit. These accessories are available separately.

**CADDY**  
STORAGE