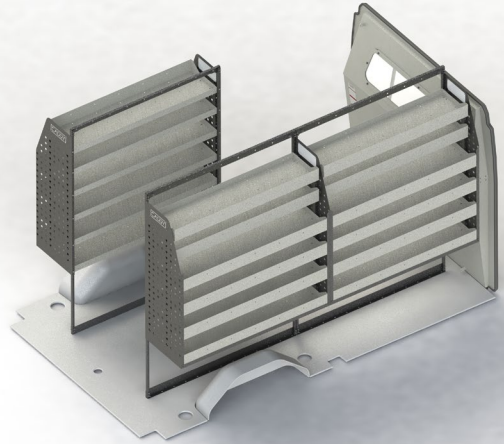
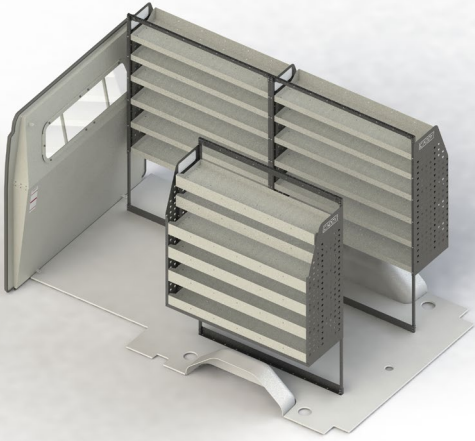


# VTK-LD9MLR20-001 - SHELVING KIT SPECIFICATIONS



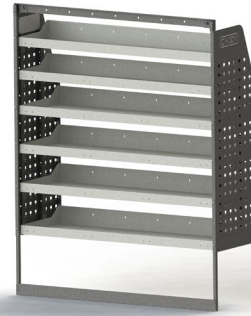
## DRIVER SIDE FRONT



### ADJ28-Q

Unit Size: 1260mm w x 1760mm h  
End panels: Standard Panels  
No. of shelves: 6  
Shelf Depth: 310mm (Rows 1 - 2), 410mm (Rows 3 - 6)  
Plastic Bins: None

## DRIVER SIDE REAR



### ADJ28-Q

Unit Size: 1260mm w x 1760mm h  
End panels: Standard Panels  
No. of shelves: 6  
Shelf Depth: 310mm (Rows 1 - 2), 410mm (Rows 3 - 6)  
Plastic Bins: None

## PASSENGER SIDE REAR



### ADJ28-Q

Unit Size: 1260mm w x 1760mm h  
End panels: Standard Panels  
No. of shelves: 6  
Shelf Depth: 310mm (Rows 1 - 2), 410mm (Rows 3 - 6)  
Plastic Bins: None

VTK-LD9MLR20-001 TO SUIT THE FOLLOWING:

**Model: Deliver 9**  
**Make: LDV**  
**Wheel Base: MWB**  
**Roof: Low**  
**Year: 10/2020+**

Please check manufacturing plate for the make and model of your vehicle.

Cargo barrier and flooring depicted in images not included in Trade Kit. These accessories are available separately.

**CADDY**  
STORAGE