

PRODUCT RELEASE

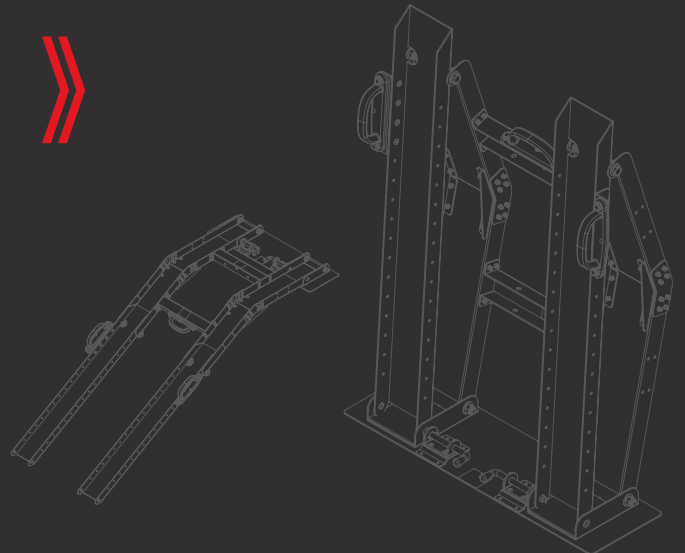
FOLDING WHEELIE BIN RAMP

MADE TO SUIT MOST COMMERCIAL VANS

CADDY
STORAGE



**NEW PRODUCT FROM
CADDY STORAGE**



• FR-RAMP-001 - FOLDING WHEELIE BIN RAMP

FOLDING WHEELIE BIN RAMP

MADE TO SUIT MOST COMMERCIAL VANS



PRODUCT DETAILS

SUITS

Most commercial Vans

TYPE

Folding Wheelie Bin Ramp

AVAILABILITY

Now

KEY FEATURES

- › Lockable storage position (slide bolts)
- › 3 Ergonomic grab handles (adjustable position)
- › Durable (100kg weight rating)
- › 30° Loading Incline
- › Integrated rotation stops
- › Rubber pads to reduce vibration/noise
- › Powder-coated Safety Yellow

DETAILS

- › Folding Ramp (fixed mounting position)
- › 300mm L x 715mm W x 1051mm H (folded position)
- › 1715mm L x 715mm W x 700mm H (unfolded position)
- › Suits two wheeled bins (min. distance between wheels 370mm)
- › Suits two wheeled bins (max. distance outside wheels 610mm)

For pricing & additional info, please email info@caddystorage.com.au.