

**KIT SPECIFICATIONS**

**DRIVER SIDE FRONT**

ADJ28-L

Unit Size: 1080mm w x 1570mm h

End panels: Standard Panels

No. of shelves: 6

Plastic Bins: None

**DRIVER SIDE MID**

ADJ28-L

Unit Size: 1080mm w x 1570mm h

End panels: Standard Panels

No. of shelves: 6

Plastic Bins: None

**DRIVER SIDE REAR**

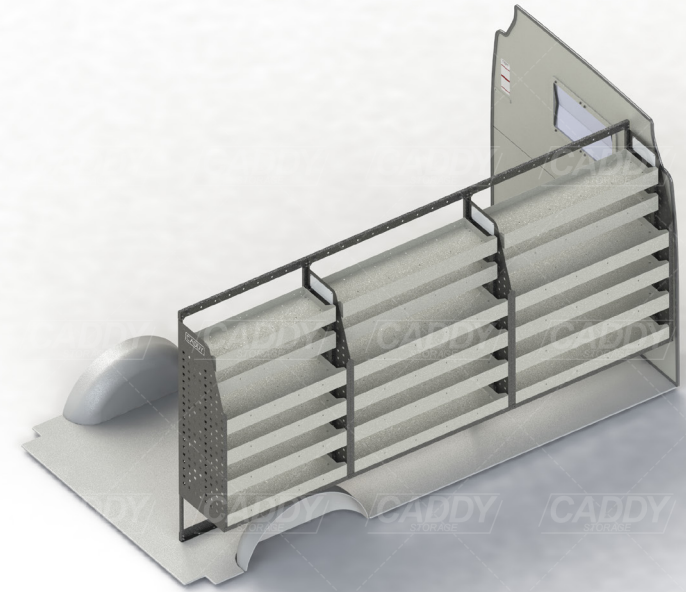
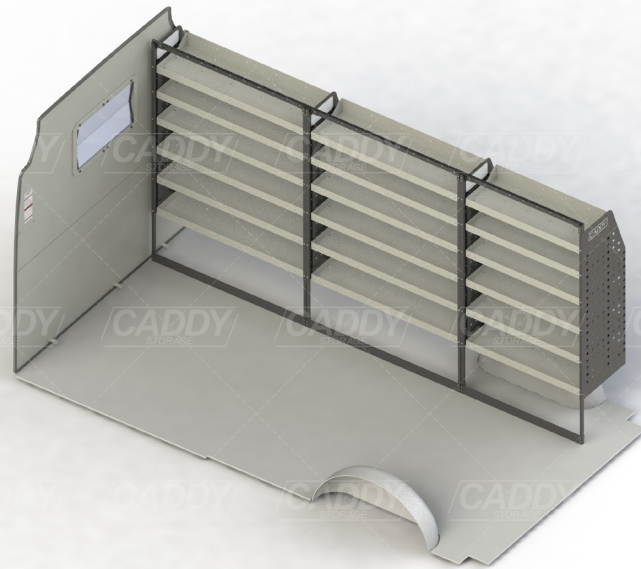
ADJ28-K

Unit Size: 850mm w x 1570mm h

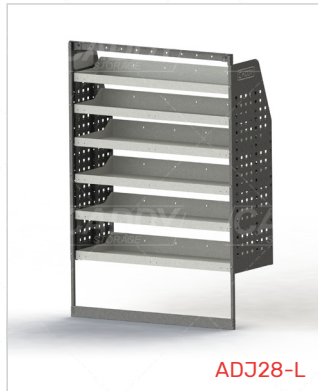
End panels: Standard Panels

No. of shelves: 6

Plastic Bins: None

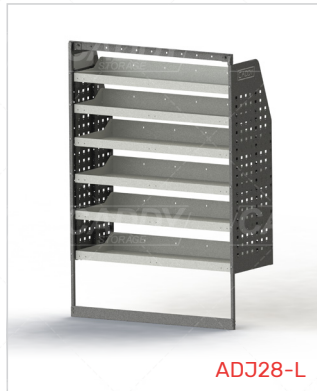


**DRIVER SIDE FRONT**



ADJ28-L

**DRIVER SIDE MID**



ADJ28-L

**DRIVER SIDE REAR**



ADJ28-K

Cargo barrier and flooring depicted in images not included in Trade Kit. These accessories are available separately.

Model: Sprinter 313 or 316 or 319CDI / Make: Mercedes / Wheel Base: MWB / Roof: Low / Year: 10/2013+.

Please check manufacturing plate for the make and model of your vehicle.